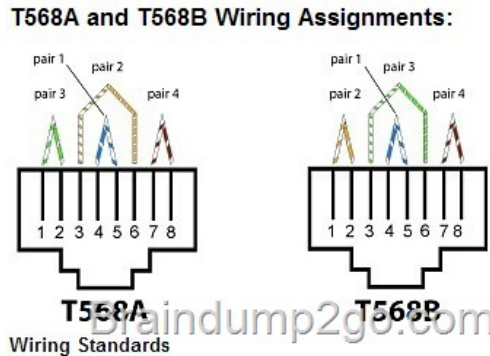


2014 Latest CompTIA Network+ N10-005 Exam Demo Free Download!

QUESTION 1 New Simulation: Crimp out a T568B. Answer: White/Orange, Orange, White/Green, Blue, White/Blue, Green, White/Brown, Brown. Explanation:



Pin #	T568B	T568A
1	White/Orange	White/Green
2	Orange	Green
3	White/Green	White/Orange
4	Blue	Blue
5	White/Blue	White/Blue
6	Green	Orange
7	White/Brown	White/Brown
8	Brown	Brown

QUESTION 2 A firewall that detects and prevents attacks from outside the network based on learned data patterns can BEST be described as which of the following? A. Signature based IDS B. Behavior based IPS C. Host based IPS D. Network based IDS Answer: B
 QUESTION 3 Which of the following technologies prevents network collisions to maximize safe delivery of network data? A. CSMA/CA B. DWDM C. RADIUS D. SONET Answer: A
 QUESTION 4 Which of the following are authentication methods that can use AAA authentication? (Select TWO). A. Kerberos B. PKI C. TKIP/AES D. MS-CHAP E. RADIUS F. TACACS+ Answer: EF
 QUESTION 5 Drag and Drop Question Drag and drop the fiber cable connection types to the appropriate image.



Answer:



QUESTION 6 A company is connected to an ISP, but owns the premise router with an internal CSU/DSU. Which of the following is considered the demarc? A. Premise router B. ISP router C. Smart jack D. CSU/DSU Answer: C QUESTION 7 An IP camera has a failed PoE NIC. This is the third time in months that a PoE NIC has failed on this device. The technician suspects a possible power issue. Which of the following should be used to test the theory? A. Toner probe B. Loopback plug C. Protocol analyzer D. Multimeter Answer: D QUESTION 8 A technician is troubleshooting a network issue and needs to view network traffic on a switch in real-time. Which of the following would allow the technician to view network traffic on a switch? A. ISAKMP B. Port forwarding C. Port security D. Port mirroring Answer: D QUESTION 9 A technician finds that the network card is no longer functioning. At which of the following OSI layers is the problem occurring? A. Layer 1 B. Layer 3 C. Layer 5 D. Layer 7 Answer: A QUESTION 10 The address 6FFE:FFFF:0000:2F3B:04AC:00FF:FEFE:5C4A is an example of which of the following? A. APIPA B. MAC C. IPv4 D. IPv6 Answer: D QUESTION 11 Which of the following properties of DHCP would a technician use to ensure an IP address is not leased out from the active scope? A. Reservations B. Lease times C. Removing IPs from the active leases D. Configuring the DNS options Answer: A Explanation: Reservations are permanent lease assignments that are used to ensure that a specified client on a subnet can always use the same IP address. You can use DHCP reservations for hosts that require a consistent IP address, but do not need to be statically configured. QUESTION 12 A network technician needs to configure a port on a switch to provide connectivity and electrical support to a WAP being installed in a warehouse. Which of the following features needs to be configured on the switch? A. STP B. PoE C. VTP trunking D. Port forwarding Answer: B Explanation: Power over Ethernet or PoE describes any of several standardized or ad-hoc systems which pass electrical power along with data on Ethernet cabling. This allows a single cable to provide both data connection and electrical power to devices such as wireless access points or IP cameras. QUESTION 13 Which of the following reasons would MOST likely be used to implement QoS and traffic shaping solutions? A. Redundancy B. Fault tolerance C. Unified communications D. Uptime requirements Answer: C Explanation: In unified communication video, voice, data have only one end gateway so to give priority to avoid delay in voice and video we use QoS. QUESTION 14 Which of the following uses SSL encryption? A. SMTP B. FTP C. HTTPS D. SNMP Answer: C Explanation: HTTPS is the result of simply layering the Hypertext Transfer Protocol (HTTP) on top of the SSL/TLS protocol, thus adding the security capabilities of SSL/TLS to standard HTTP communications. QUESTION 15 A network administrator wants to balance the amount of data between two networking cards. Which of the following can be used for two or more networking cards? A. NIC bonding B. Proxy server C. Firewall ACLs D. VLANs Answer: A

Passing your CompTIA Network+ N10-005 Exam by using the latest CompTIA Network+ N10-005 Exam Demo Full Version:
<http://www.braindump2go.com/n10-005.html>